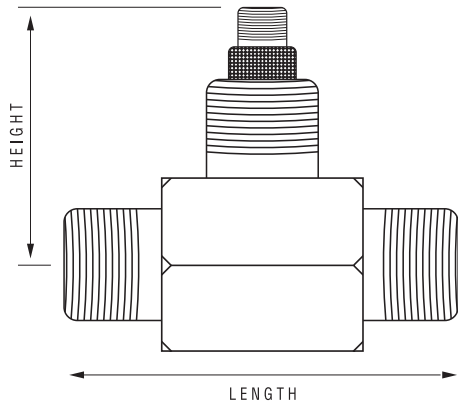


G Series Precision Meters



Size	NPT		Sanitary Clamp		Flanged*	
	Length inches (mm)	Height inches (mm)	Length inches (mm)	Height inches (mm)	Length inches (mm)	Height inches (mm)
1/2 in.	2.75 (70)	2.56 (65)	2.75 (70)	2.56 (65)	—	—
3/4 in.	3.25 (82)	2.62 (66)	3.25 (82)	2.62 (66)	5.50 (140)	2.00 (51)
1 in.	3.56 (90)	2.75 (70)	3.56 (90)	2.75 (70)	5.50 (140)	2.12 (54)
1-1/2 in.	4.59 (116)	3.00 (76)	4.59 (116)	3.00 (76)	6.00 (152)	2.50 (63)
2 in.	6.06 (154)	3.25 (82)	6.06 (154)	3.25 (82)	6.50 (165)	3.00 (76)
3 in.	10.00 (254)	3.50 (89)	—	—	10.00 (254)	3.75 (95)

* Height on flange meters, measures from center line to top of flange.